



Fluid Fitting Shipping Caps

Inch & Metric

Introduction
Cross References
Beam Seal Version
Flareless Version
Beam Seal Metric Version



Shipping Cap



Fluid Adapters

The caps are made of aluminum with an assembled O-ring seal. There are two colors of caps (red or blue anodizing) indicating two types of O-ring materials used. This choice of O-ring material insures compatibility with most system fluids.

Blue anodized caps for use with Skydrol and other phosphate ester fluids.

Shur-Lok's McKinnon shipping caps comes in various tube end-sealing configurations for Ring-Locked Fluid Adapters.

There are primarily two types of inch caps used for the Ring-Locked adapters. The MF5000C Series (AS4282) is designed to cap off a male dynamic beam seal tube end configuration and the MF9900C Series (AS4300) is used for the Flareless tube end configuration. A MF70CM Series (MA4248) metric dynamic beam seal tube end configuration is also available.

The caps are used to seal system fluid in hydraulic components for transit or storage without leakage. They also help protect the adapter tube end and threads from being damaged. These are low-pressure caps to be used with pressures not exceeding 20 PSI.

Metric versions of the caps are also available. McKinnon also provides all the necessary installation tooling for the Ring-Locked Products including Fluid Adapters. Contact McKinnon for information on available Metric caps and/or installation tooling.



9900 SERIES

MCKINNON	ALCOA	CRANE RESISTOFLEX	AIRDROME	AS STD. NUMBER	NATIONAL STOCK NUMBER
MF9902C-B	RF9902C-B			AS4300B02	
MF9903C-B	RF9903C-B			AS4300B03	
MF9904C-B	RF9904C-B			AS4300B04	
MF9905C-B	RF9905C-B			AS4300B05	
MF9906C-B	RF9906C-B			AS4300B06	
MF9908C-B	RF9908C-B			AS4300B08	
MF9910C-B	RF9910C-B			AS4300B10	
MF9912C-B	RF9912C-B			AS4300B12	
MF9914C-B	RF9914C-B			AS4300B14	
MF9916C-B	RF9916C-B			AS4300B16	
MF9920C-B	RF9920C-B			AS4300B20	
MF9924C-B	RF9924C-B			AS4300B24	
MF9932C-B	RF9932C-B			AS4300B32	
MF9902C-D	RF9902C-D			AS4300D02	
MF9903C-D	RF9903C-D			AS4300D03	
MF9904C-D	RF9904C-D			AS4300D04	
MF9905C-D	RF9905C-D			AS4300D05	
MF9906C-D	RF9906C-D			AS4300D06	
MF9908C-D	RF9908C-D			AS4300D08	5340014186703
MF9910C-D	RF9910C-D			AS4300D10	
MF9912C-D	RF9912C-D			AS4300D12	5340014186701
MF9914C-D	RF9914C-D			AS4300D14	
MF9916C-D	RF9916C-D			AS4300D16	
MF9920C-D	RF9920C-D			AS4300D20	5340014187132
MF9924C-D	RF9924C-D			AS4300D24	
MF9932C-D	RF9932C-D			AS4300D32	

5000 SERIES

MCKINNON	ALCOA	CRANE		AS STD. NUMBER	NATIONAL STOCK NUMBER
		RESISTOFLEX	AIRDROME		
MF5002C-B	RF5002C-B			AS4282B02	
MF5003C-B	RF5003C-B			AS4282B03	
MF5004C-B	RF5004C-B			AS4282B04	
MF5005C-B	RF5005C-B			AS4282B05	
MF5006C-B	RF5006C-B			AS4282B06	
MF5007C-B	RF5007C-B				
MF5008C-B	RF5008C-B			AS4282B08	
MF5009C-B	RF5009C-B				
MF5010C-B	RF5010C-B			AS4282B10	
MF5011C-B	RF5011C-B				
MF5012C-B	RF5012C-B			AS4282B12	
MF5013C-B	RF5013C-B				
MF5014C-B	RF5014C-B			AS4282B14	
MF5015C-B	RF5015C-B				
MF5016C-B	RF5016C-B			AS4282B16	
MF5020TC-B	RF5020C-B			AS4282B20	
MF5024TC-B	RF5024C-B			AS4282B24	
MF5002C-D	RF5002C-D			AS4282D02	
MF5003C-D	RF5003C-D			AS4282D03	
MF5004C-D	RF5004C-D	R44371D-04	AP396-04	AS4282D04	4730003635264 / 5340014731185
MF5005C-D	RF5005C-D			AS4282D05	
MF5006C-D	RF5006C-D			AS4282D06	5340013500862
MF5007C-D	RF5007C-D				
MF5008C-D	RF5008C-D			AS4282D08	5340013500863
MF5009C-D	RF5009C-D				
MF5010C-D	RF5010C-D	R44371-D10		AS4282D10	4730013189272 / 4730013208714 / 5340013506799
MF5011C-D	RF5011C-D				
MF5012C-D	RF5012C-D			AS4282D12	
MF5013C-D	RF5013C-D				
MF5014C-D	RF5014C-D			AS4282D14	
MF5015C-D	RF5015C-D				
MF5016C-D	RF5016C-D			AS4282D16	5340014183726
MF5020TC-D	RF5020TC-D	R44371D21		AS4282D20	5340005531814
MF5024TC-D	RF5024TC-D			AS4282D24	

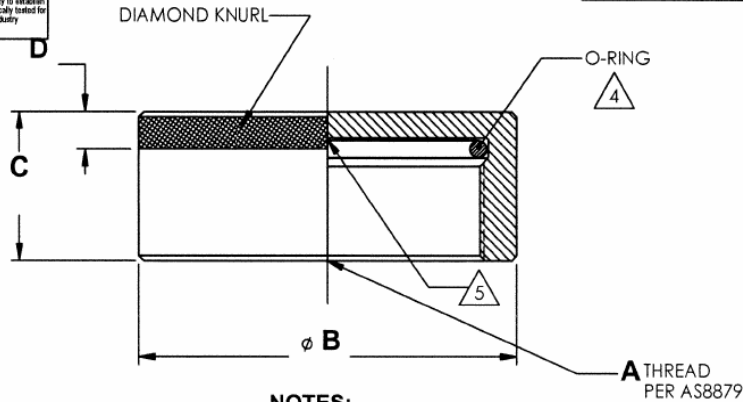
METRIC

MCKINNON	ALCOA	CRANE		MA STD. NUMBER	NATIONAL STOCK NUMBER
		RESISTOFLEX	AIRDROME		
MF70CM1010B	RF70CM1010B			MA 4248B05	
MF70CM1212B	RF70CM1212B			MA 4248B06	
MF70CM1415B	RF70CM1415B			MA 4248B08	
MF70CM1615B	RF70CM1615B			MA 4248B10	
MF70CM1815B	RF70CM1815B			MA 4248B12	
MF70CM2015B	RF70CM2015B			MA 4248B14	
MF70CM2215B	RF70CM2215B			MA 4248B16	
MF70CM2415B	RF70CM2415B			MA 4248B18	
MF70CM2715B	RF70CM2715B			MA 4248B20	
MF70CM3015B	RF70CM3015B			MA 4248B22	
MF70CM3315B	RF70CM3315B			MA 4248B25	
MF70CM3615B	RF70CM3615B			MA 4248B28	
MF70CM3915B	RF70CM3915B			MA 4248B32	
MF70CM1010D	RF70CM1010D			MA 4248D05	
MF70CM1212D	RF70CM1212D			MA 4248D06	5340014673370
MF70CM1415D	RF70CM1415D			MA 4248D08	5340014673371
MF70CM1615D	RF70CM1615D			MA 4248D10	5340014858265
MF70CM1815D	RF70CM1815D			MA 4248D12	
MF70CM2015D	RF70CM2015D			MA 4248D14	
MF70CM2215D	RF70CM2215D			MA 4248D16	
MF70CM2415D	RF70CM2415D			MA 4248D18	
MF70CM2715D	RF70CM2715D			MA 4248D20	
MF70CM3015D	RF70CM3015D			MA 4248D22	
MF70CM3315D	RF70CM3315D			MA 4248D25	
MF70CM3615D	RF70CM3615D			MA 4248D28	
MF70CM3915D	RF70CM3915D			MA 4248D32	

NOTICE: This drawing embodies a CONFIDENTIAL, proprietary design originated by SHUR-LOK CORPORATION and all design, manufacturing, reproduction, use and sale rights regarding the same are expressly reserved. It is submitted under a confidential relationship for a specific purpose, and the recipient agrees by accepting this drawing not to supply or disclose any information regarding it to any unauthorized person, or to incorporate in other projects any special features peculiar to this design. All patent rights hereto are expressly reserved by SHUR-LOK CORPORATION, Irvine, California.

This part has sufficient strength to meet the intended design loads and parameters. SHUR-LOK assumes no liability if parts are subjected to load conditions that exceed the design parameters. It is the user's responsibility to establish a Mean Time Between Failure for part performance. The Mean Time Between Failure must be specifically tested for during part qualification in order for this interval to be established. The requirements of customer or industry specifications and standards only apply to the extent specified on this drawing.

LTR	ECNO	DATE	DRAWN	CHKD	APPD	REL
NC	21303	SALES RELEASE			12JUN03	EM
A	21727	11SEP03	NP	FM	NP	EM



- NOTES:**
- MATERIAL: CAP: ALUMINUM
O-RING: SEE NOTE 4
 - FINISH: ANODIZE PER AMS-A-8625, TYPE II, CLASS 2.
DYE RED FOR MF5000C-D SERIES
DYE BLUE FOR MF5000C-B SERIES
 - PART NUMBER CODING:
ADD "- D" TO BASIC PART NUMBER WHEN USED WITH MIL-H-5606 OR MIL-PRF-83282 HYDRAULIC FLUID AND FUEL.
ADD "- B" TO BASIC PART NUMBER WHEN USED WITH SKYDROL AND OTHER PHOSPHATE ESTERS.
 - FOR "- D": O-RING PER AS28775, COMPOUND PER AMS-P-25732.
FOR "- B": O-RING PER AS568, COMPOUND PER NAS1613.
 - DRILL POINT PERMISSIBLE TO .040 MINIMUM WALL THICKNESS.

EXAMPLE OF PART CODING:

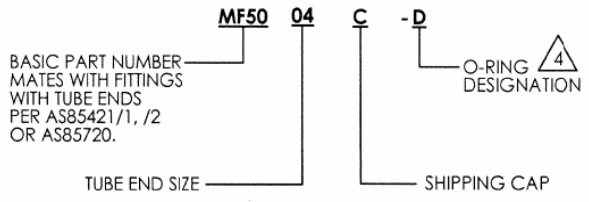


TABLE I

FITTING CAP PART NUMBER 3	AS IDENT NUMBER 3	TUBING O.D. REF	A THREAD PER AS8879 CLASS 3B	φ B ±.010	C ±.010	D REF	O-RING DASH No. REF 4	FITTING CAP WEIGHT WITH O-RING (LBS/100 PCS) APPROX
MF5002C-()	AS4282()02	1/8	.3125-32UNJEF	.549	.325	.200	-009	.60
MF5003C-()	AS4282()03	3/16	.3750-28UNJS	.580	.350	.200	-010	.68
MF5004C-()	AS4282()04	1/4	.4375-24UNJS	.642	.375	.200	-011	.84
MF5005C-()	AS4282()05	5/16	.5000-24UNJS	.705	.375	.200	-012	.97
MF5006C-()	AS4282()06	3/8	.5625-20UNJS	.767	.400	.200	-013	1.20
MF5008C-()	AS4282()08	1/2	.7188-20UNJS	.923	.400	.200	-016	1.53
MF5010C-()	AS4282()10	5/8	.8438-18UNJS	1.048	.450	.300	-018	2.01
MF5012C-()	AS4282()12	3/4	1.0000-16UNJ	1.205	.500	.300	-020	2.90
MF5014C-()	AS4282()14	7/8	1.1250-16UNJ	1.330	.525	.300	-022	3.58
MF5016C-()	AS4282()16	1	1.2500-14UNJS	1.466	.525	.300	-024	4.04
MF5020TC-()	AS4282()20	1-1/4	1.5781-14UNJS	1.750	.525	.300	-219	4.95
MF5024TC-()	AS4282()24	1-1/2	1.8438-14UNJS	2.000	.605	.300	-223	6.11

**SALES DRAWING
SOLIDWORKS DWG**

UNLESS OTHERWISE SPECIFIED

DRAWING INTERPRETATION PER COMPANY WORKMANSHIP PRACTICES PER VAI10001 ALL DIMENSIONS APPLY AFTER PLATING AND PRIOR TO THE ADDITION OF SOLID FILM LUBRICANT

BREAK ALL SHARP EDGES .02 (B) MAX ALL FILLET RADI .02 (B) MAX (25.0) /

✓ ALL SURFACES

TOLERANCES
XX .XX ANGLES (X) (X.X)
±.03 ±.010 ±.2° ±.010 ±.2°

DIMENSION IN () MILLIMETERS

SIGNATURE	DATE
DRAWN J. NGUYEN	10JUN03
CHECKED N. PATEL	11JUN03
APPROVED D. MCCORKLE	12JUN03
MFG	
QA	
ESR NO.	

Mckinnon Industries, INC.
IRVINE, CALIFORNIA

TITLE: FITTING ASSEMBLY, CAP, BEAM SEAL, PROTECTIVE CLOSURE, LOW PRESSURE

DRAWING NO. **MF50()C**

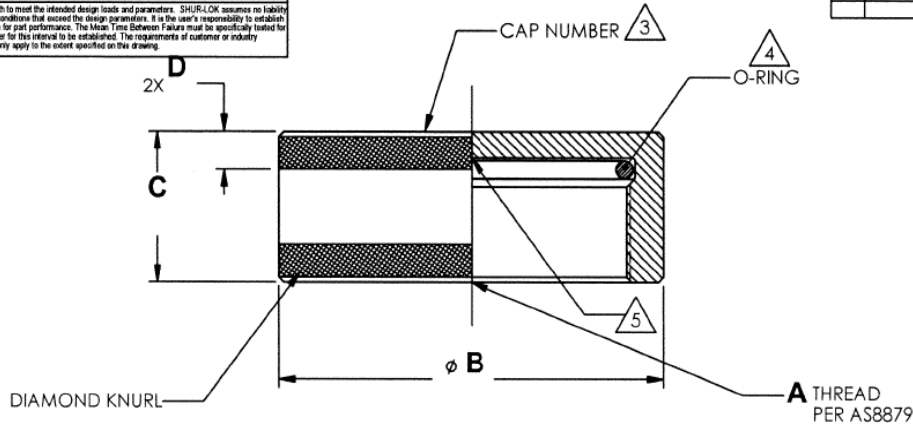
REV. **A**

SCALE NONE SIZE **A** CAGE NO 65085 SHEET 1 OF 1

NOTICE: This drawing embodies a CONFIDENTIAL, proprietary design originated by SHUR-LOK CORPORATION and all design, manufacturing, reproduction, use and sale rights regarding the same are expressly reserved. It is submitted under a confidential relationship for a specific purpose, and the recipient agrees by accepting this drawing not to supply or disclose any information regarding it to any unauthorized person, or to incorporate in other projects any special features peculiar to this design. All patent rights hereto are expressly reserved by SHUR-LOK CORPORATION, Irvine, California.

This part has sufficient strength to meet the intended design loads and parameters. SHUR-LOK assumes no liability if parts are subjected to load conditions that exceed the design parameters. It is the user's responsibility to establish a Mean Time Between Failure for part performance. The Mean Time Between Failure must be specifically stated for during part qualification in order for this interval to be established. The requirements of customer or industry specifications and standards only apply to the extent specified on the drawing.

LTR	EDNG	DATE	DRAWN	CHKD	APPD	REL
NC	21302	SALES RELEASE				E M
A	21726	11SEP03	NP	FM	NP	EM



NOTES:

- MATERIAL: CAP: ALUMINUM
O-RING: SEE NOTE (triangle 4)
 - FINISH: ANODIZE PER AMS2427 OR AMS-A-8625, TYPE II, CLASS 2.
DYE RED FOR MF9900C-D (AS4300D08) SERIES.
DYE BLUE FOR MF9900C-B (AS4300B08) SERIES.
- EXAMPLE OF PART CODING:**
- M F 9 9 0 4 C - D (triangle 3) (triangle 4)
- BASIC PART NUMBER MATES WITH FITTINGS WITH TUBE ENDS PER AS18280
- TUBE END SIZE
- SHIPPING CAP
- O-RING DASH NUMBER
- PART NUMBER CODING:
ADD " - D " TO BASIC PART NUMBER WHEN USED WITH MIL-PRF-87257 OR MIL-PRF-83282 HYDRAULIC FLUIDS.
ADD " - B " TO BASIC PART NUMBER WHEN USED WITH SKYDROL AND OTHER PHOSPHATE ESTERS.
 - FOR " - D " : O-RING PER AMS-P-83461/1, COMPOUND PER AMS-P-25732.
FOR " - B " : O-RING PER AS568, COMPOUND PER NAS1613.
 - DRILL POINT PERMISSIBLE TO .040 MINIMUM WALL THICKNESS.

TABLE I

FITTING CAP PART NO (triangle 3)	AS IDENT No. (triangle 3)	TUBING O.D. REF	A THREAD PER AS8879 CLASS 3B	ϕB $\pm .020$	C $\pm .005$	D $\pm .020$	O-RING DASH No. REF (triangle 4)	FITTING CAP WEIGHT WITH O-RING (LBS/100 PCS) APPROX
MF9902C-()	AS4300()02	1/8	.3125-24UNJF	.562	.388	.100	-104	.75
MF9903C-()	AS4300()03	3/16	.3750-24UNJF	.625	.388	.100	-106	.89
MF9904C-()	AS4300()04	1/4	.4375-20UNJF	.688	.430	.125	-108	1.14
MF9905C-()	AS4300()05	5/16	.5000-20UNJF	.750	.430	.125	-109	1.30
MF9906C-()	AS4300()06	3/8	.5625-18UNJF	.812	.458	.125	-110	1.55
MF9908C-()	AS4300()08	1/2	.7500-16UNJF	.938	.492	.125	-113	1.79
MF9910C-()	AS4300()10	5/8	.8750-14UNJF	1.125	.537	.150	-115	2.91
MF9912C-()	AS4300()12	3/4	1.0625-12UNJ	1.312	.597	.150	-118	4.03
MF9914C-()	AS4300()14	7/8	1.1875-12UNJ	1.438	.597	.150	-120	4.60
MF9916C-()	AS4300()16	1	1.3125-12UNJ	1.562	.597	.150	-122	5.19
MF9920C-()	AS4300()20	1-1/4	1.6250-12UNJ	1.875	.630	.200	-220	7.07
MF9924C-()	AS4300()24	1-1/2	1.8750-12UNJ	2.125	.630	.200	-223	8.52
MF9932C-()	AS4300()32	2	2.5000-12UNJ	2.750	.630	.200	-228	14.74

**SALES DRAWING
SOLIDWORKS DWG**

UNLESS OTHERWISE SPECIFIED
DRAWING INTERPRETATION PER CCME102
WORKMANSHIP PRACTICES PER NA1006
ALL DIMENSIONS APPLY AFTER PLATING
AND PRIOR TO THE ADDITION OF SOLID
FILM LUBRICANT
BREAK ALL SHARP EDGES .02 (0.5) MAX
ALL FILLET RADI: .06 (0.5) MAX
15(3.0)
ALL SURFACES
TOLERANCES
XX .XXX ANGLES (X.X) (X.XX)
±.00 ±.010 ±.02 ±.03 ±.04 ±.05
DIMENSION IN () ARE MILLIMETERS

SIGNATURE	DATE
DRAWN: J. NGUYEN	09JUN03
CHECKED: N. PATEL	12JUN03
APPROVED: D. MCCORKLE	12JUN03
MFG	
QA	
ESR NO.	

Mckinnon Industries, INC.
IRVINE, CALIFORNIA

TITLE: FITTING ASSEMBLY, CAP, FLARELESS, PROTECTIVE CLOSURE, LOW PRESSURE

DRAWING NO: **MF99()C**

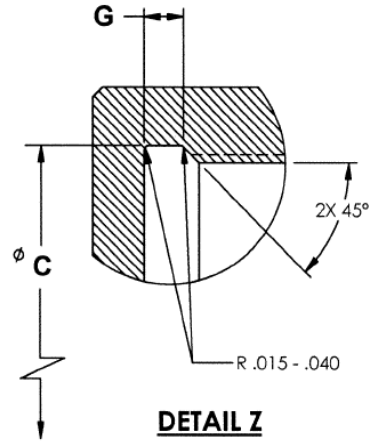
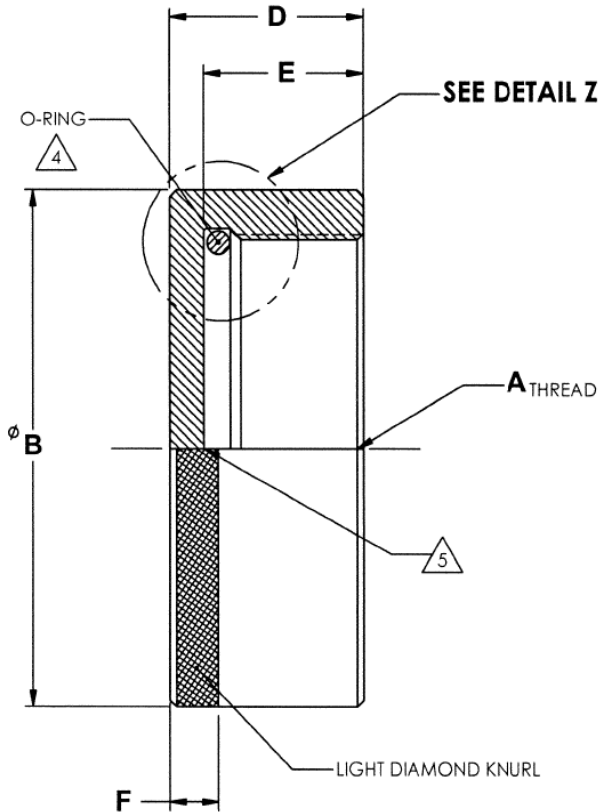
REV: **A**

SCALE: NONE SIZE: **A** CAGE NO: 66085 SHEET 1 OF 1

NOTICE: This drawing embodies a CONFIDENTIAL proprietary design originated by SHUR-LOK CORPORATION and all design, manufacturing, reproduction, use and sale rights regarding the same are expressly reserved. It is submitted under a confidential relationship for a specific purpose, and the recipient agrees by accepting this drawing not to supply or disclose any information regarding it to any unauthorized person, or to incorporate in other projects any special features peculiar to this design. All patent rights hereto are expressly reserved by SHUR-LOK CORPORATION, Irvine, California.

The part has sufficient strength to meet the intended design loads and parameters. SHUR-LOK assumes no liability if parts are subjected to load conditions that exceed the design parameters. It is the user's responsibility to establish a Mean Time Between Failure for part performance. The Mean Time Between Failure must be specifically tested for during part qualification in order for this interval to be established. The requirements of customer or industry specifications and drawings only apply to the extent specified on this drawing.

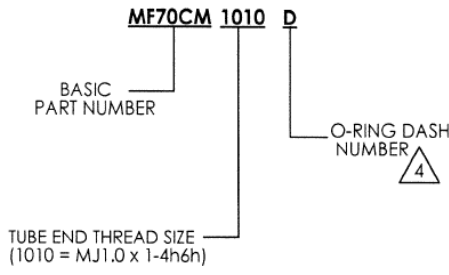
LT#	EDNO	DATE	DRWN	CHGD	APPD	REL
NC	21338	SALES RELEASE			28JUL03	EM
A	21724	20AUG03	JN	JK	NP	EM
B	21728	11SEP03	NP	FM	NP	EM



NOTES:

- MATERIAL: CAP: ALUMINIUM ALLOY
O-RING: SEE NOTE $\triangle 4$
- FINISH: ANODIZE PER AMS-A-8625, TYPE II, CLASS 2, DYE RED OR BLUE PER $\triangle 4$
- REMOVE ALL BURRS AND BREAK SHARP EDGES 0.08 - 0.38
- $\triangle 4$ CODE LETTER FOR O-RING AND FINISH COLOR, IN PLACE OF DASH IN PART NUMBER:
LETTER D: O-RING PER AS28775, COMPOUND PER AMS-P-25732 FOR USE WITH MIL-H-5606 OR MIL-PRF-83252 HYDRAULIC FLUID-RED COLOR ANODIZE.
LETTER B: O-RING PER AS568, COMPOUND PER NAS1613 FOR USE WITH SKYDROL AND OTHER PHOSPHATE ESTERS-BLUE COLOR ANODIZE.
- $\triangle 5$ DRILL POINT PERMISSIBLE TO 1.00 MINIMUM WALL THICKNESS.
- DIMENSION IN MILLIMETERS, UNLESS OTHERWISE SPECIFIED, TOLERANCES: LINEAR DIMENSIONS ± 0.25 , ANGULAR DIMENSIONS $\pm 5^\circ$.
- ALL MACHINED SURFACES SHALL BE SMOOTH TO BE 3.2 MICROMETERS R_a PER ANSI/ASME B46.1.

EXAMPLE OF PART CODING:



UNLESS OTHERWISE SPECIFIED		SIGNATURE	DATE	mi Mckinnon Industries, INC. IRVINE, CALIFORNIA
DRAWING INTERPRETATION PER COMALD WORKMANSHIP PRACTICES PER WHICH ALL DIMENSIONS APPLY AFTER PLATING AND PRIOR TO THE ADDITION OF SOLID FILM LUBRICANT. BREAK ALL SHARP EDGES 02 (0.5) MAX. ALL FILET RADI: (0.125) MAX. 125 (1.2)		DRWN: J. NGUYEN	01/JUL/03	
TOLERANCES: .XX .XXX ANGLES (LX) (LX.XX) & PD \pm .010 \pm .015 \pm .010 \pm .010		CHECKED: J. KALES	26/JUL/03	
ALL SURFACES: ✓		APPROVED: N. PATEL	24/JUL/03	DRAWING NO: MF70CM
DIMENSION IN [] ARE MILLIMETERS		MFG: D. KOEPPER	24/JUL/03	REV: B
		Q.A: D.M.C.	24/JUL/03	SCALE: NONE SIZE: A CASE NO: 97393 SHEET 1 OF 2
		ESR NO:		

**SALES DRAWING
SOLIDWORKS DWG**

NOTICE: This drawing embodies a CONFIDENTIAL, proprietary design originated by SHUR-LOK CORPORATION, and all design, manufacturing, reproduction, use and sale rights regarding the same are expressly reserved. It is submitted under a confidential relationship for a specific purpose, and the recipient agrees by accepting this drawing not to supply or disclose any information regarding it to any unauthorized person, or to incorporate in other projects any special features peculiar to this design. All patent rights hereto are expressly reserved by SHUR-LOK CORPORATION, Irvine, California.

The part has sufficient strength to meet the intended design loads and parameters. SHUR-LOK assumes no liability if parts are subjected to load conditions that exceed the design parameters. It is the user's responsibility to establish a Mean Time Between Failures for part performance. The Mean Time Between Failures must be specifically tested by during part qualification in order for this interval to be established. The requirements of customer or industry specifications and standards only apply to the extent specified on this drawing.

LTR	EDNG	DATE	DRAWN	CHKD	APPD	REL
B						SEE SHEET 1

TABLE I




PART NUMBER 	MA PART NUMBER 	NOMINAL TUBE SIZE REF	A THREAD MA 1370 -4H5H	Ø B ±.5	Ø C +0.25 -0.05	D ±0.30
MF70CM1010()	MA4248-05	5.0	MJ10 x 1.0	15.9	10.65	7.60
MF70CM1212()	MA4248-06	6.0	MJ12 x 1.25	17.5	12.45	8.40
MF70CM1415()	MA4248-08	8.0	MJ14 x 1.5	19.5	14.50	9.40
MF70CM1615()	MA4248-10	10.0	MJ16 x 1.5	22.2	17.00	9.65
MF70CM1815()	MA4248-12	12.0	MJ18 x 1.5	23.7	18.60	9.90
MF70CM2015()	MA4248-14	14.0	MJ20 x 1.5	25.4	20.50	9.90
MF70CM2215()	MA4248-16	16.0	MJ22 x 1.5	27.0	21.95	9.90
MF70CM2415()	MA4248-18	18.0	MJ24 x 1.5	30.2	24.95	9.90
MF70CM2715()	MA4248-20	20.0	MJ27 x 1.5	33.2	28.10	10.40
MF70CM3015()	MA4248-22	22.0	MJ30 x 1.5	35.6	30.50	10.40
MF70CM3315()	MA4248-25	25.0	MJ33 x 1.5	38.1	33.50	10.40
MF70CM3615()	MA4248-28	28.0	MJ36 x 1.5	41.3	36.50	10.40
MF70CM3915()	MA4248-32	32.0	MJ39 x 1.5	44.5	39.60	10.40

TABLE I CONT'D

E ±0.25	F ±0.4	G +0.25 -0.00	O-RING SIZE 	FITTING CAP WEIGHT WITH O-RING (Kg/100 PCS) APPROX
4.78	4.0	1.78	011	3.217
5.67	4.0	1.78	012	3.994
6.63	5.0	1.78	013	5.264
6.89	5.0	1.78	015	6.777
7.01	5.0	1.78	016	7.520
7.01	5.0	1.78	017	8.232
7.19	5.0	1.78	018	8.802
6.66	5.0	1.78	020	11.628
7.60	5.0	1.78	022	13.396
7.50	5.0	1.78	023	14.737
7.55	5.0	1.78	025	15.814
7.85	5.0	1.78	027	17.390
8.36	5.0	2.62	126	18.165

	Mckinnon Industries, INC. IRVINE, CALIFORNIA
TITLE CAP ASSEMBLY, PROTECTIVE CLOSURE, BEAM SEAL FITTING, LOW PRESSURE, METRIC	
DRAWING NO. MF70CM	REV. B
SCALE NONE	SIZE A
CASE NO. 65065	SHEET 2 OF 2

SALES DRAWING
SOLIDWORKS DWG